

PSR-SCP- 24UC/THC4/2X1/1X2

Order No.: 2963721



<http://eshop.phoenixcontact.de/phoenix/treeViewClick.do?UID=2963721>

Safety relay for two-hand trip guards to EN 574 type IIIC, simultaneity monitoring < 0.5 s, 2 N/O contacts, 1 N/C contact, safe isolation, pluggable connecting terminal blocks, width: 22.5 mm



| Commercial data | |
|--------------------------|-------------------|
| EAN | 4017918818692 |
| Pack | 1 Pcs. |
| Customs tariff | 85364900 |
| Weight/Piece | 0.2451 KG |
| Catalog page information | Page 23 (IF-2007) |

Product notes

WEEE/RoHS-compliant since:
03/06/2007



<http://www.download.phoenixcontact.com>
Please note that the data given here has been taken from the online catalog. For comprehensive information and data, please refer to the user documentation. The General Terms and Conditions of Use apply to Internet downloads.

Technical data

| Input data | |
|---|--------------|
| Nominal input voltage U_N | 24 V AC/DC |
| Input voltage range in reference to U_N | 0.85 ... 1.1 |
| Typical input current at U_N | 125 mA AC |
| | 60 mA DC |

| | |
|---|-----------------|
| Voltage at input/start and feedback circuit | Approx. 24 V DC |
| Typical response time | 50 ms |
| Typical release time | 20 ms |
| Concurrence input 1/2 | < 0.5 s |
| Recovery time | 1 s |

Output data

| | |
|--|---|
| Contact type | 2 enabling current paths, 1 signaling current path |
| Contact material | AgSnO ₂ , + 0.2 µm Au |
| Maximum switching voltage | 250 V AC/DC |
| Minimum switching voltage | 15 V AC/DC |
| Limiting continuous current | 6 A |
| Maximum inrush current | 6 A |
| Inrush current, minimum | 25 mA |
| Interrupting rating (ohmic load) max. | 144 W (24 V DC, τ = 0 ms) 288 W (48 V DC, τ = 0 ms) 110 W (110 V DC, τ = 0 ms) 88 W (220 V DC, τ = 0 ms) 1500 VA (250 V AC, τ = 0 ms) |
| Maximum interrupting rating (inductive load) | 42 W (24 V DC, τ = 40 ms) 42 W (48 V DC, τ = 40 ms) 42 W (110 V DC, τ = 40 ms) 42 W (220 V DC, τ = 40 ms) |
| Switching capacity min. | 0.4 W |
| Output fuse | 6 A fast blow 4 A circuit-breaker C |

General data

| | |
|---|--------------------------------|
| Length | 99 mm |
| Width | 22.5 mm |
| Height | 114.5 mm |
| Ambient temperature (operation) | -20 °C ... 55 °C |
| Ambient temperature (storage/transport) | -20 °C ... 70 °C |
| Service life mechanical | Approx. 10 ⁷ cycles |
| Mounting position | Any |
| Category in acc. with EN 954-1 | 4 |

| | |
|----------------------------------|---|
| Stop category | 0 |
| Name | Air and creepage distances between the power circuits |
| Standards/regulations | DIN EN 50178/VDE 0160 |
| Rated surge voltage / insulation | 6 kV / Safe isolation, increased insulation |
| Rated insulation voltage | 250 V |
| Pollution degree | 2 |
| Surge voltage category | III |

Connection data

| | |
|--|---------------------|
| Conductor cross section solid min. | 0.2 mm ² |
| Conductor cross section solid max. | 2.5 mm ² |
| Conductor cross section stranded min. | 0.2 mm ² |
| Conductor cross section stranded max. | 2.5 mm ² |
| Conductor cross section AWG/kcmil min. | 24 |
| Conductor cross section AWG/kcmil max | 12 |
| Stripping length | 7 mm |
| Screw thread | M3 |
| Type of connection | Screw connection |

Certificates / Approvals

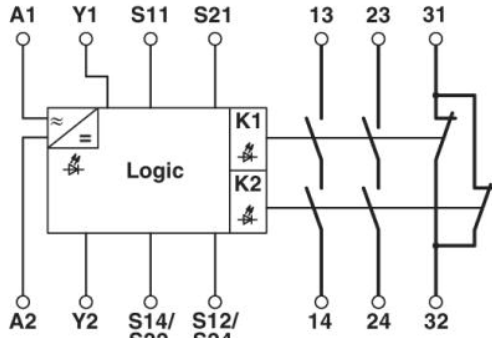


Certification

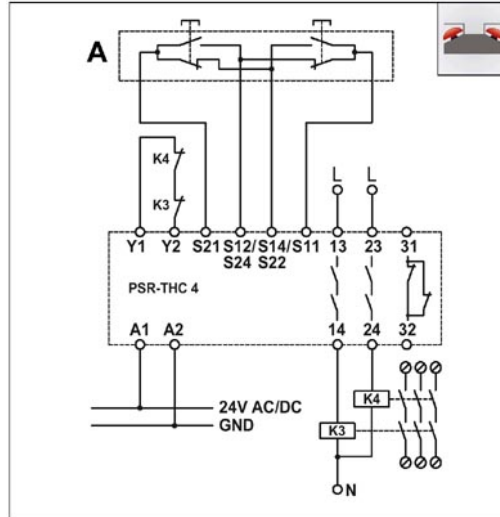
CUL Listed, GOST, TUEV-RH, UL Listed

Drawings

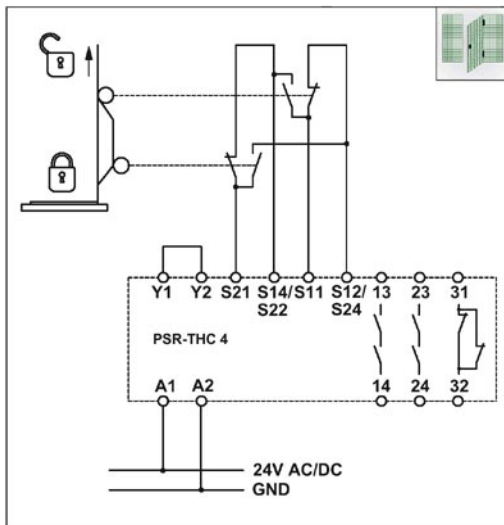
Circuit diagram



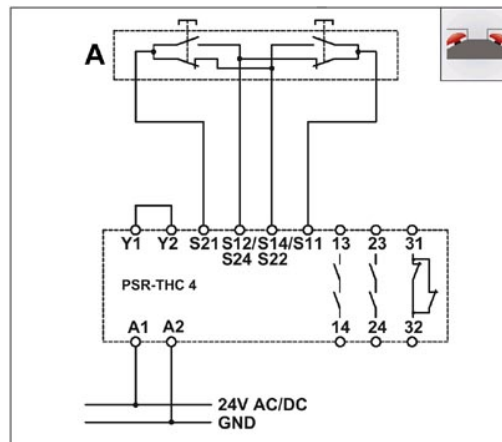
1 = logics



Monitoring of controlling, disabling protective devices in acc. with EN 1088 with equality monitoring < 0.5 s, suitable up to safety category 4.



A = two-hand control panel Two-hand control systems with equality monitoring < 0.5 s and monitored contact expansion, corresponds to EN 574 type IIC, suitable up to safety category 4.



A = two-hand control panel Two-hand control systems with equality monitoring < 0.5 s, corresponds to EN 574 type IIIC, suitable up to safety category 4.